

aqigo



Aqigo V1
Product Manual
產品說明書

Thank you for purchasing the
Aqigo V1 Air Purifier

Questions or Concerns?

If you have any questions or concerns, please reach us at www.aqigo.com/contacts/ or whastapp **+852 5415-7221**

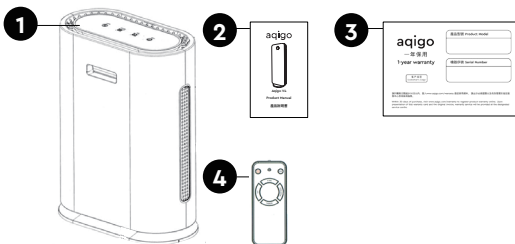
Office Hour:

Mon-Fri (10am-6pm UTC+8)

**Thank you and we hope you
enjoy your new purifier!**

Contents

| | |
|---------------------------------------------|----|
| 1. Product Specification..... | 01 |
| 2. Product Structure..... | 02 |
| 3. Description of Parts and Components..... | 03 |
| 4. Filter Replacement Procedures..... | 05 |
| 5. Maintenance..... | 06 |
| 6. Correct Placement Position..... | 06 |
| 7. Important Safety Instructions..... | 07 |
| 8. Troubleshooting..... | 08 |



Package contains:

- 1 Aqigo V1 purifier
- 2 User manual card
- 3 Warranty card
- 4 Remote control

Product Specification

| | |
|-----------------|-----------------|
| Model Name | Aqigo V1 |
| Applicable Area | 280 Square Feet |
| Color | White |
| Dimension | 350×180×466mm |

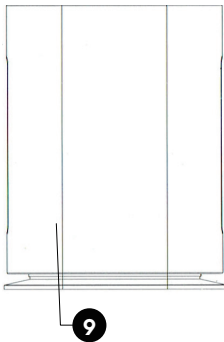
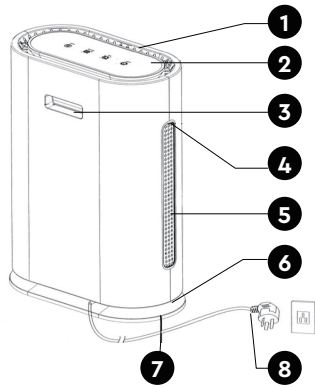
| | |
|-------------|-----------------------|
| Net Weight | 5.6kg |
| Voltage | 220V-240V |
| Frequency | 50Hz |
| Rated Power | 62W |
| CADR | 240 m ³ /h |

| | |
|------------------------|---------------------------|
| Noise Level | 28-48dB |
| Anion Concentration | 20million/cm ³ |
| Filters Out H3N2 Virus | >99.9% |
| Filters Out Bacteria | >99.9% |
| PM2.5 Removal | >99% |

| | |
|-----------------------------------|-----------------------------------------------------------------------------------------------------------------------------------------------------------------------------------------------------------------|
| Six Layer Filtration | <ol style="list-style-type: none">1. Antibacterial Filter2. HEPA Filter3. Cold Catalyst Filter4. PACO Filter5. Sterilizing UV light6. Anion Purifier |
| Recommended HEPA Filter Life Time | 6 months |
| Recommended PACO Filter Life Time | 12 months |

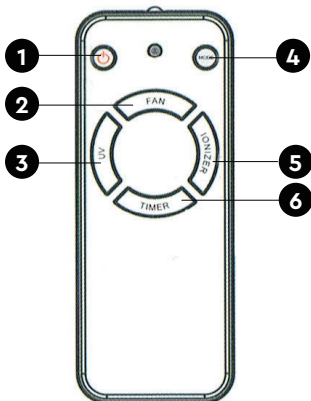
| | |
|----------|------------------------------|
| Features | Touch panel + Remote control |
|----------|------------------------------|

Product Structure



Aqigo V1 Body

- 1 360 degree air outlet
- 2 Handle
- 3 Control panel
- 4 Air sensor
- 5 Air input (two side)
- 6 Air input (upper of the machine base)
- 7 Power cord
- 8 Power plug
- 9 Front cover






Remote Control

- 1 Power on/off
- 2 Air volume adjust button
- 3 UV on/off button
- 4 Mode button
- 5 Negative ion on/off button
- 6 Timer button

Descriptions of Parts and Components

Real-time monitoring air quality

Aqigo V1 can detect air quality and automatically adjust the air flow. The LED will show the real-time air quality:

-  **Blue LED**
Air quality is good.
-  **Green LED**
Air quality is fair.
-  **Red LED**
Air quality is bad.

Before you use, please make sure the plastic package of filter is removed.

Control Panel



Powering On / OFF

- 1 Switch Mode**
After connecting to power, the buzzer will emit a "bi" sound, all the indicators on control panel will light up for 3 seconds, after 3 second self checking, the ON/OFF indicator lights up, the machine will enter standby mode.

Touch this button to turn on the machine. After turning on the machine, the machine works in "auto mode" by default, the air sensor starts checking the air quality after machine works for 2 minutes.

Selecting the Operating Mode

- 2 Timer**
Press the "Timer" button in control panel or remote control to choose the timing program through: No timing - 1 Hr - 2Hr - 4 Hr -8 Hr - No timing. It is circular setting.

3 Wind Speed

When machine working under the Manual mode, you can choose from Low/Mid/ High/Sleep; The fan speed in sleep mode is the slowest and quietest.

4 Ionizer

The negative ion can be turned on/off by pressing the "Ionizer" button in control panel or remote control, when the negative ion is working, the ion symbol in control panel is lighted up; the negative ion will turn off if the machine is turn off.

5 Auto

Under "Auto mode", if air quality is good, the LED will change to blue colour ; if the air quality is fair, the LED will change to green colour; if the air quality has been seriously polluted, the LED will change to red colour, and the machine will automatically adjust the fan speed according to the air quality. If working under the "Manual mode", the LED will also change according to the air quality, but the fan speed cannot auto adjust.

UV Sanitizing

The UV will start to work after turning on the machine, work for 10 minutes and stop 20 minutes cycle work, after working 4 hours the UV will auto turned off. The UV can only be turned on/off by remote control, and it will be turned off if the machine is turned off.

Mode Control

Aqigo V1 will be working in auto mode after turning on the machine, the speed symbol in control panel will all be light up.

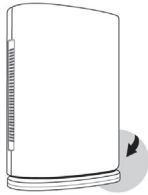
Press the "Fan speed" button on control panel or remote control to change the model of speed, keep pressing the fan speed button, the mode will change from auto mode to manual mode (Low - Mid - High speed) and sleep mode. In sleep mode, the LED will not light up, as well as the other symbols.

When working under the manual mode, the fan speed cannot be auto adjusted.

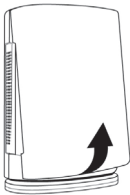
Filter Replacement Procedures

**Before replacing filter, please make sure that the power is off, the plug is not plugged in.

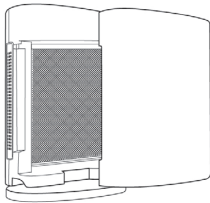
1. Hold down the lock of the cover bottom, pull on both sides.



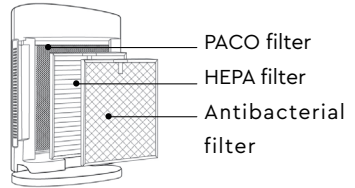
2. Open the lock and move the cover as picture illustrated.



3. Take out the front cover.



4. Take out the old filter and put the new one in (the filter with handle towards the outside).



5. First buckle the upper part of the cover, and then push the lower part



6. When the cover fixed well, you will hear a "click" sound.



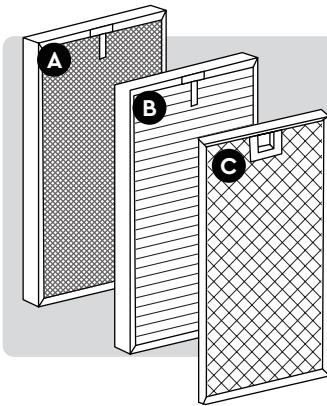
Maintenance

HEPA filter

- Replace the filter every 6 months.
- Hold the frame of filter gently.
- Do not expose under strong sunshine.
- Do not use water to clean the filter.

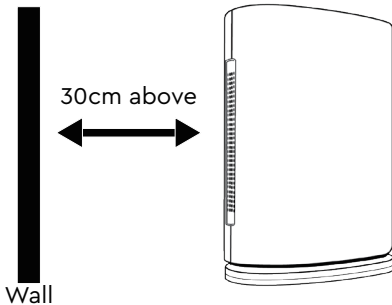
PACO filter

- Replace the filter every 12 months.
- Hold the frame of filter gently.
- Do not expose under strong sunshine.
- Do not use water to clean the filter.



- A** PACO filter
Suggest to replace in every 12 months
- B** HEPA filter
Suggest to replace in every 6 months
- C** Antibacterial filter

Correct Placement Position



- **To make sure the indoor air is effectively circulated.**
The air outlet must be 30cm far away from the furniture and wall.
- **To avoid video and audio's interface**
Please make sure the appliance is 1m far away from the TV, radio. Don't use same power socket with TV, radio.

Important Safety Instructions

Attention

Precaution in placement

- Use in flat and firm place to avoid dumping, short circuit, leakage, fire and so on.
- Avoid short circuit, fire and other reasons where water is not easily accessible.
- Do not place water containers on the body of the machine to avoid water seepage inside the machine causing insulation damage, leakage, short circuit, fire, etc.
- Do not use in places where oil or flammable gas may leak, so as to avoid fire caused by leakage.
- For indoor use, do not use in places with direct sunshine and access to rainwater.

Warning

Cautions in use

- Before you use, please make sure the plastic package of filter is removed.
- Do not block the air inlet and outlet of this product to avoid overheating inside the machine.
- Do not use outside rated voltage (AC220/240V/50Hz). Use outside rated voltage will damage the internal parts of products and cause short circuit, fire and other reasons.
- Do not place next to heater, there is the possibility of fire caused by melting the body.
- Do not disassembly of products for transformation to avoid fire, leakage, injury.
- Pull out the power plug without using it for a long time.
- Do not move the product during the working process of the machine to avoid leakage of electricity.
- Do not touch the power plug with wet hand.
- Don't damage the power cord or socket. Don't cut, excessively twist and drag the power cord. Don't lay heavy objects on the power cord. Otherwise, the power cord may be over heated, and it may cause fire. To repair the power cord or plug, please contact aqigo customer service.
- Don't drag the power cord when moving or storing the appliance.

Warning

Cautions in use

- When cleaning products or replacing filters, pull out the power plug.
- After the machine stops running for 3 minutes, the front panel can be opened to avoid damage caused by the inertia of the wind wheel.
- Do not sit on the body of the machine to avoid injury caused by tilting or turning over.
- If the soft wire of the power supply is damaged, in order to avoid danger, it must be replaced by a manufacturer or maintenance department or similar full-time personnel.

Troubleshooting

| Phenomenon | Check Solution |
|-------------------------------------|--------------------------------------------------------------------------------------------------------------------------------------------------------------------------------------------------------------------------------------------------------------------------------------------------|
| Not running | <p>Q. Is the power plug connected well?</p> <p>A. Connect the plug again.</p> <p>Q. Air quality is not good, but the indicator for air purification always "Blue"</p> <p>A. Did you put the appliance in the place where is not easy to sense the dirty air? Change the place.</p> |
| Difficult to purify air, loud noise | <p>Q. Main machine, the front panel or dust collection filter net is dirty?</p> <p>A. Clean the front panel of the main machine, use the vacuum cleaner to remove dirty from the font panel.</p> |
| Dust collection filter | <p>Q. Clean dirt with vacuum cleaner, before assemble, it must be absolutely dry. Once per month.</p> <p>A. 1. Don't use the vacuum cleaner to clean the bottom of dust collection filter (the white part). 2. Don't wash it with water (it can destroy some functions).</p> |

According above contents, if problem still cannot be solved, please cut the power supply and contact aqigo customer service.